

VAPS system

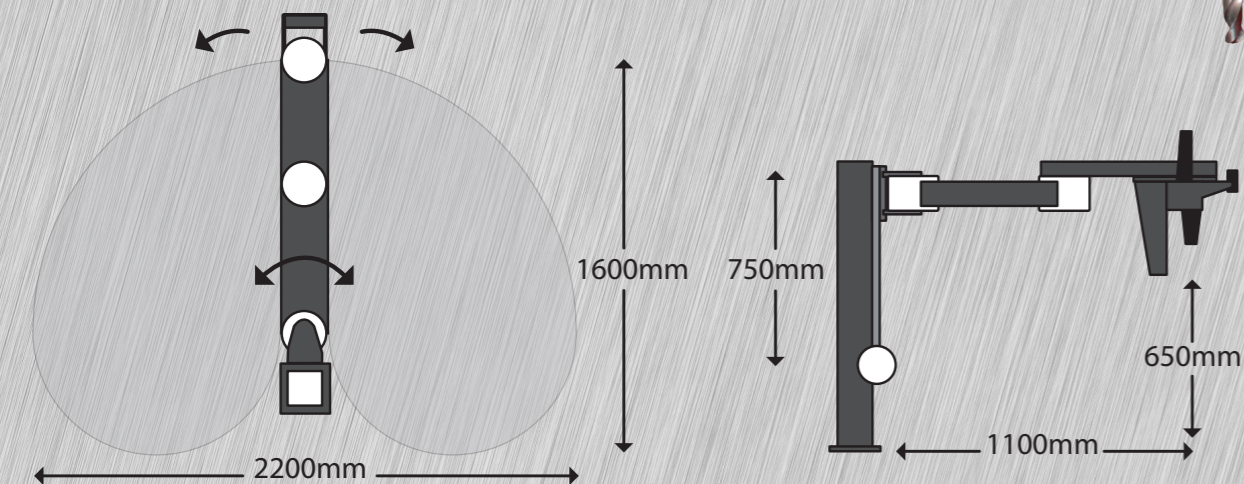


- ▶ Rapid identification of the position of the workpiece (search zeros).
- ▶ Intuitive programming of drilling on several points.
- ▶ Planning and saving of drilling cycles.
- ▶ Programs execution with assisted positioning of the tool on the work plan.
- ▶ Auto and manual change of drilling speed.
- ▶ Electro-pneumatic locking position is reached with decimal precision.

Quick change chucks



Working area



DRILLTRONIC® by VOLUMEK

www.volumek.it



DRILLTRONIC® by VOLUMEK

DRILLTRONIC® is the only integrated drilling and tapping units equipped with an innovative system developed with an articulated arm to give maximum working flexibility.

The structure is designed with a technology that can provide smooth and quick placements, ensuring rigidity and precision during machining operations.

With the new control system VAPS (Volumek Assisted Positioning System) with a touch-screen operator interface, easy and intuitive, you can perform drilling and tapping, to set quotas, without the need of manually tracking used with traditional drills.

DRILLTRONIC® Key Features

| Standard motor power (watts) | Voltage (volt) | Drilling capacity with Twist drill (mm) | Drilling capacity with cutter (mm) | Tapping capacity on steel | Drilling depth (mm) | Vertical trip of the column (mm) |
|------------------------------|----------------|---|------------------------------------|-----------------------------|---------------------|----------------------------------|
| 1200* | 230/50Hz | Ø 1,5 - Ø 20 (Ø 24 on aluminum) | max Ø 40 | M3-M16 (M20 on aluminum) | 135 | 500 |

*customizable on request

Accessories



Workbench

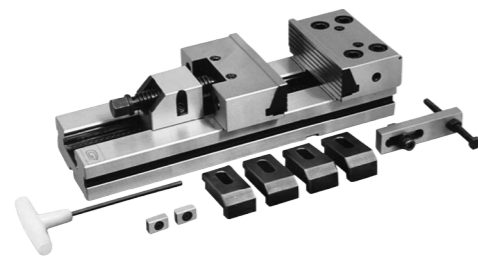
Workbench optimized for supporting DRILLTRONIC®, with 30mm base and an internal vain to store tools.
Available with rough plan or with T-slots plan designed for the recovery of refrigerant.

| Code | BDL1810 | BDL128 | BDG1810 | BDG128 |
|----------------------------------|---------------------|---------------------|-------------------|------------------|
| Workspace (mm) | 1800 x 1000 | 1200 x 800 | 1800 x 1000 | 1200 x 800 |
| Height adjustable stand (mm) | 750/850 | 750/850 | 750/850 | 750/850 |
| Plan Type | Worked with T-slots | Worked with T-slots | Rough | Rough |
| Refrigerant Recovery Preparation | Yes | Yes | No | No |
| Weight (Kg) | 650 | 360 | 650 | 360 |



Quick-change tool holders

Tool holders for tapping from M3 to M20 with and without friction, holding chain compasses.



Vice

Precision modular vises opening 100 to 500mm



Tool cooling system

In the continuous search of improving the product, Volumec reserves the right to make changes without prior notice.



Volumec - Via Cal della Madonna 54/D
31010 Farra di Soligo (TV) - ITALY
Phone +39 0438 900299 - Fax: +39 0438 1896510
www.volumec.it - info@volumec.it

Authorized Distributor:



mechanical innovations

Drilling and tapping arm machine



Volumec - Via Cal della Madonna 54/D
31010 Farra di Soligo (TV) - ITALY
Phone +39 0438 900299 - Fax: +39 0438 1896510
www.volumec.it - info@volumec.it